

Universal Window Felt Parts

Door Window Felt Strips, Universal, 8' Strips

Single Sided Strips:

| | | | | | |
|-----------|-----------------------------------|-------|------|----------|--|
| | 17/64 | 15/64 | 1/4 | 21/64 | |
| | 7/16 | 7/16 | 9/16 | 9/16 | |
| | 1 | 2 | 3 | 4 | |
| H-45983-1 | Single side strip, black bead | | | 25.00 ea | |
| H-45983-2 | Single side strip, stainless bead | | | 22.50 ea | |
| H-45983-3 | Single side strip, black bead | | | 30.00 ea | |
| H-45983-4 | Single side strip, stainless bead | | | 30.00 ea | |

U Shape, no bead:

| | | | | | | |
|------------|--|------------|------------|------------|------------|--|
| | 1/4 | 3/16 - 1/4 | 3/16 - 1/4 | 7/16 - 1/2 | 3/16 - 1/4 | |
| | 9/16 | 1/2 | 17/32 | 5/8 | 3/8 | |
| | 5 | 6 | 7 | 9 | 10 | |
| | 5/8 | 5/8 | 5/8 | 27/32 | 1/2 | |
| H-45983-5 | U shape, flexible, felt lined, black | | | 40.00 ea | | |
| H-45983-6 | U shape, flexible, felt & pile lined, black | | | 40.00 ea | | |
| H-45983-7 | U shape, flexible, pile lined, black | | | 35.00 ea | | |
| H-45983-9 | U shape, flex, pile line, 7/16 to 1/2 glass (72" length) | | | 45.00 ea | | |
| H-45983-10 | U shape, rigid, felt & pile lined, black | | | 30.00 ea | | |

U Shape, Stainless bead

| | | | | |
|------------|----------|------------|------------|--|
| | | 3/16 - 1/4 | 3/16 - 1/4 | |
| | | 9/16 | 1/2 | |
| | | 8 | 12 | |
| | | 5/8 | 1/2 | |
| H-45983-8 | 40.00 ea | | | |
| H-45983-12 | 45.00 ea | | | |

Double Channel, U shape

used on some station wagon sliding windows

Pile & felt lined

| | | | | |
|------------|----------|-----|------------|----------|
| H-45983-20 | 50.00 ea | 1/2 | 7/16 - 1/2 | 1 - 7/64 |
|------------|----------|-----|------------|----------|

Window Felt Mounting Hardware

These clips are included in complete window felt kits.

| | | |
|-------------|---|----------|
| YB-16740-C | Clip for ends of felt | 1.00 ea |
| B-703536 | Small headed screws, black, used to mount fuzzy strips to window openings when original hardware is not used (25 pcs) | 5.00 set |
| 48-703536-A | Punch Clips used 1935-52 (25 pcs) | 10.00 ea |
| 48-703536-B | Garnish Clips used 1935-36 (25 pcs) | 10.00 ea |
| 78-703536 | Staples used 1937-48 (25 pcs) | 5.00 ea |
| 11A-703536 | V Clips used 1941-48 (25 pcs) | 10.00 ea |

Window Felt Universal Guide Channel

U shape, use to support 5/8 wide felt for custom applications.

36" length:

| | |
|------------|----------|
| H-45983-WC | 30.00 ea |
|------------|----------|



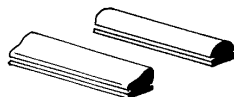
Window Glass to Frame Setting Tape

| | | |
|-----------|-------------------------------|----------|
| B-37193-A | All years, 20 ft, 1/32" thick | 10.00 ea |
| B-37193-B | All years, 20 ft, 3/64" thick | 10.00 ea |
| B-37193-C | All years, 20 ft, 1/16" thick | 15.00 ea |
| B-37193-D | All years, 20 ft, 5/64" thick | 15.00 ea |

1932-35 Window Glass Anti-Rattlers

Fits into holes in door, body, and garnish molding. Included in felt kits.

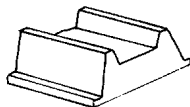
| | | |
|---------|-----------------|---------|
| B-46044 | Door or body | 0.75 ea |
| B-45830 | Garnish molding | 0.75 ea |



Window Glass Bottom Rest Bumper

Included in felt kits.

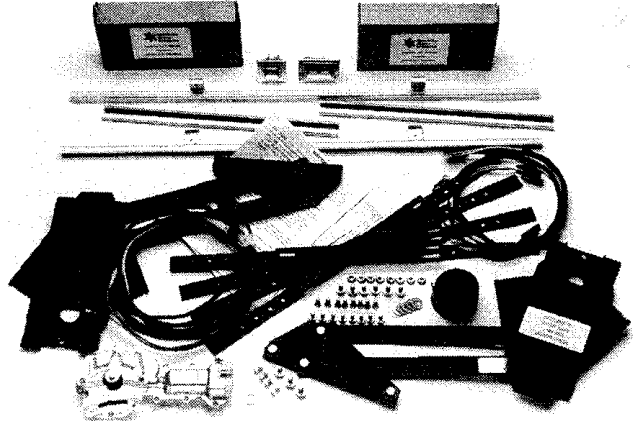
| | | |
|---------|---------|---------|
| B-48141 | 1926-34 | 1.00 ea |
|---------|---------|---------|



Power Window Regulators

"Geared" Power Window Kits by Specialty Power Windows

This kit features AC Delco motors and includes regulators, window glass bottom channels, necessary mounting brackets, control switches, and switch wire harnesses. Minimum 24" glass width.



| | | |
|-------------|--------------------------------------|------------|
| SPW-48100-A | 2-Window, for Coupe, Convrt*, Pickup | 500.00 set |
| SPW-48100-C | 4-Window, for Sedan | 950.00 set |

**Convertibles may need fabrication of upper stops for proper glass top control.*

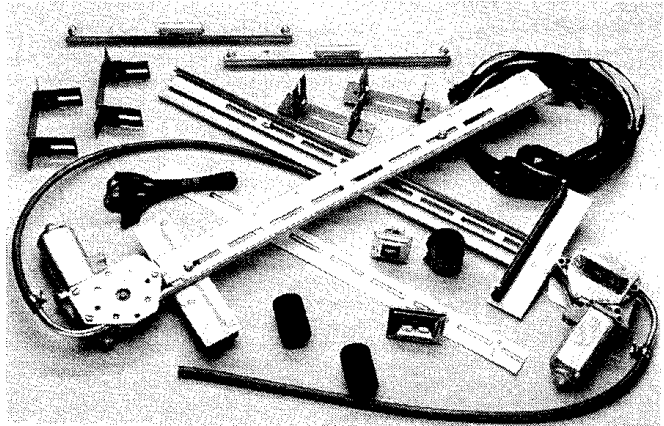
Geared Regulator Kit for Model A

Specially designed for easy installation into 1928-31 Model A. These are single arm regulators. Kit includes wiring and switches.

| | | |
|--------------|------------------------------|-----------|
| SPW-48100-MA | 2-Window, for Coupe & Pickup | 500.00 ea |
| SPW-48100-MC | 4-Window, for Sedan | 950.00 ea |

Wonder Lift Regulator Kits by Specialty Power Windows

This kit features Bosch motors and includes regulators, window glass bottom channels, necessary mounting brackets, control switches, and switch wire harnesses.



| | | |
|--------------|------------------------------|------------|
| SPW-48100-LA | 2-Window, for Coupe & Pickup | 500.00 set |
| SPW-48100-LC | 4-Window, for Sedan | 950.00 set |

Back Window Power Window Unit

We designed it for our 1932 3-Window Coupe, Specialty Power Windows makes it. Requires fabrication of a new mounting base plate to use on steel cars. Other fiberglass cars may need extra modifications to mount base plate and mount window channels.

| | | |
|--------------|------------------------|-----------|
| SPW-48100-RW | Back Window Power Unit | 350.00 ea |
|--------------|------------------------|-----------|

* Parts with price listed as "not.avbl" are not known to be available at this time, but are listed for reference.

1937-40 Ford Coupe & Sedan Window Parts

1937-38 Garnish Molding Plastic Inserts

| | | | |
|---------------|--------------------------------|-------|----|
| 78-7020988-A | 1937 Standard, light brown | 20.00 | pr |
| 78-7020988-B | 1937 Deluxe, yellow brown | 20.00 | pr |
| 81A-7020988-6 | 1938 Deluxe Coupe & Fordor | 20.00 | pr |
| 81A-7020988-8 | 1938 Deluxe Tudor & Club coupe | 20.00 | pr |

Door Interior Upholstery Former Panels

These are the light weight stamped steel panels used on 1935-40 Coupes and Sedans and are covered with upholstery and snap to the inside of the doors around the window.

| | | |
|-----------------|--------------------------------------|----------|
| 91A-7323810/11B | 1937-40 Standard Coupe, Fordor front | not.avbl |
|-----------------|--------------------------------------|----------|

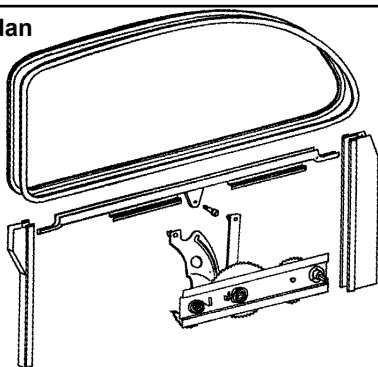
Interior Trim Screw Sets

| | | | |
|--------|----------------------|-------|----|
| AH-371 | 1937 Coupe | 12.50 | ea |
| AH-372 | 1937 Tudor sedan | 12.50 | ea |
| AH-373 | 1937 Fordor sedan | 15.00 | ea |
| AH-380 | 1938-39 Coupe | 12.50 | ea |
| AH-381 | 1938-39 Tudor sedan | 12.50 | ea |
| AH-382 | 1938-39 Fordor sedan | 12.50 | ea |
| AH-400 | 1940 Coupe | 12.50 | ea |
| AH-401 | 1940 Tudor sedan | 12.50 | ea |
| AH-402 | 1940 Fordor sedan | 12.50 | ea |

Typical 1937-39 Coupe & Sedan Window Parts

1937-39 Roll-Up Window Felt Kits

Kits includes lower felt channels with clips attached, pre-bent upper window single sided felt, and installation clips & screws for 2 windows. Regulator and glass retaining channels not included.



| | | | |
|-------------|---|--------|----|
| 78-45983-2D | 1937-39 Tudor & 5-Pass coupe door windows | 140.00 | ea |
| 78-45983-4D | 1937-39 Coupe & Fordor front door windows | 140.00 | ea |
| 78-56791 | 1937-38 Fordor rear door windows | 140.00 | ea |
| 91A-56791 | 1939-40 Fordor rear door windows | 140.00 | ea |
| 78-56786 | 1937 Tudor quarter windows | 140.00 | ea |
| 81A-56786 | 1938-40 Tudor quarter windows | 140.00 | ea |

Window Regulator Repair Kits

Includes small pinion gear, handle shaft, housing, clutch spring, and 3 housing rivets. Ford used different suppliers so check number of pinion teeth and for 3 rivets mounting shaft housing.

| | | | |
|--------------|---|----------|----|
| 48-48105-WRK | 1935-39 w/6 tooth pinion | 32.50 | ea |
| B-48105-WRK | 1935-39 Tudor Quarter w/10 tooth pinion | not.avbl | |

Window Glass Retaining Channels

| | | | |
|---------------|-------------------------------------|-------|----|
| 78-702170-A | Door, RH: Tudor & Club cpe | 40.00 | ea |
| 78-702171-A | Door, LH: Tudor & Club cpe | 40.00 | ea |
| 78-702170-B | Door, RH: Coupe & Fordor | 40.00 | ea |
| 78-702171-B | Door, LH: Coupe & Fordor | 40.00 | ea |
| 78-56789 | Door, RH/LH rear: 1937-40 Fordor | 40.00 | ea |
| 40-702170 | Quarter: RH: 1934-40 Tudor | 50.00 | ea |
| 40-702171 | Quarter: LH: 1934-40 Tudor | 50.00 | ea |
| 48-45962-STUD | Roller and stud for window channels | 20.00 | pr |

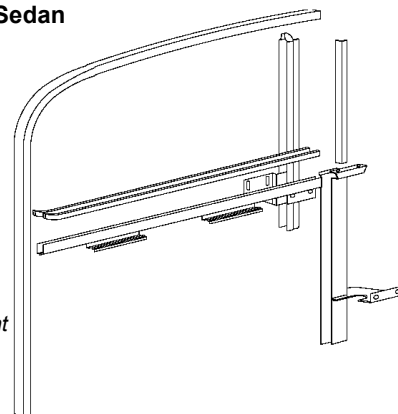
Window Glass to Frame Setting Tape

| | | | |
|-----------|-------------------------------|-------|----|
| B-37193-A | all years, 20 ft, 1/32" thick | 10.00 | ea |
| B-37193-B | all years, 20 ft, 3/64" thick | 10.00 | ea |
| B-37193-C | all years, 20 ft, 1/16" thick | 15.00 | ea |
| B-37193-D | all years, 20 ft, 5/64" thick | 15.00 | ea |

Typical 1940 Coupe and Sedan Window Parts

1940 Roll-Up Window Felt Kits

Kits include felt U channels and lower felted channels with clips attached and single sided felt with original type installation clips and screws for 2 windows. Passenger front door kits do not include felt strip for front stainless frame strip.



| | | | |
|--------------|---|--------|----|
| 01A-45983-2D | 1940 Tudor sedan door windows | 140.00 | ea |
| 01A-45983-4D | 1940 Coupe & Fordor front door windows | 140.00 | ea |
| 01A-7022296 | 1940 Vent to Window fuzz strip (not in kit) | 17.50 | pr |
| 81A-56786 | 1938-40 Tudor quarter windows | 140.00 | ea |
| 91A-56791 | 1939-40 Fordor rear door windows | 140.00 | ea |

Window Regulators

| | | | |
|---------------|--------------------------|----------|----|
| 01A-7323200/1 | 1940 Coupe, Fordor front | not.avbl | |
| 01A-7023200/1 | 1940 Tudor (front) | 180.00 | pr |

Window Regulator Repair Kits

Includes small pinion gear, handle shaft, housing, clutch spring, and 3 housing rivets. Ford used different suppliers so check number of pinion teeth and for 3 rivets mounting shaft housing.

| | | | |
|---------------|---|----------|----|
| 01A-48105-WRK | 1940-48 Passenger w/6 tooth pinion | 32.50 | ea |
| B-48105-WRK | 1940 Tudor quarter window w/10 tooth pinion | not.avbl | |

Glass Channels

| | RH | | LH | | | |
|----------------------|--------------|-------|----|--------------|-------|----|
| Door: Tudor Sedan | 01A-702170-A | 40.00 | ea | 01A-702171-A | 40.00 | ea |
| Front Door: Coupe/4D | 01A-702170-B | 40.00 | ea | 01A-702171-B | 40.00 | ea |
| Rear Door: Fordor | 78-56789 | 40.00 | ea | 78-56789 | 40.00 | ea |
| Quarter: Tudor | 40-702170 | 50.00 | ea | 40-702171 | 50.00 | ea |

Front Door Vent Window Parts

| | | | |
|---------------|---|--------|----|
| 99A-7021448-S | Rubber seals, 1939-40 Mercury Coupe/Sedan | 175.00 | pr |
| 01A-7021448-S | Rubber seals, 1940 Ford Coupe & Sedan | 120.00 | pr |
| 01A-7022916/7 | Handle, w/center button, chrome | 70.00 | pr |
| 01A-7022938 | Handle pivot shaft and bracket | 15.00 | ea |

Quarter Window Rubber Seals

Fixed window:

| | | | |
|-------------|-----------------------------|----------|----|
| 78-704220-S | 5 Window Coupe, seamed 1pc | 20.00 | pr |
| 78-735130 | Fordor, fixed style, length | not.avbl | |

Pop-out style: Fordor Sedan

| | | | |
|----------------|---------|--------|----|
| 78-7329904-PR | 1937 | 175.00 | pr |
| 81A-7329904-PR | 1938-40 | 100.00 | pr |



Fordor Sedan Popout Quarter Window Handles and Pivot

| | | | |
|-------------|---------------------------------|-------|----|
| 78-735280 | Window handle, chrome, RH | 20.00 | ea |
| 78-735281 | Window handle, chrome, LH | 20.00 | ea |
| 01A-7022938 | Window handle pivot shaft & bkt | 15.00 | ea |

Coupe & Sedan Back Window Seals (Ford & Mercury)

1937-1940 Coupe, 1937 Sedan, 1938 Std Sedan

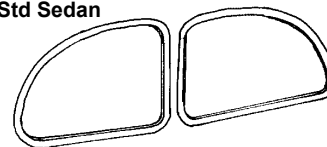
| | | |
|-----------|-------|----|
| 78-704220 | 25.00 | pr |
|-----------|-------|----|

1938 Deluxe Sedan, 1939-40 Sedan

| | | |
|------------|-------|----|
| 81A-704220 | 25.00 | pr |
|------------|-------|----|

1940-41 Sedan Delivery

| | | |
|---------------|-------|----|
| 01A-704220-SD | 40.00 | ea |
|---------------|-------|----|



Station Wagon Back Window Frame

Stamped Steel, with hinge

| | | |
|-----------|-----------------------|----------|
| 78-796150 | 1937-39 Station Wagon | not.avbl |
|-----------|-----------------------|----------|

* Parts with price listed as "not.avbl" are not known to be available at this time, but are listed for reference.