

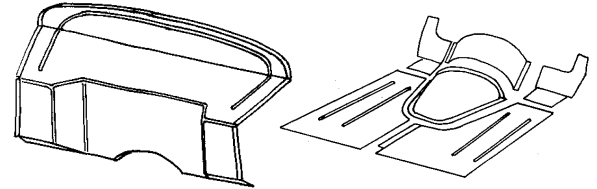
1937-40 Coupe, Convertible and Sedan Body Repair Parts

Front Floorboard and Transmission cover (original type)

78-700325-S	1937 Front floorboards, wood	not.avbl
81A-700325-S	1938 Front floorboards, wood	not.avbl
91A-700325-S	1939 Front floorboards, wood	115.00 pr
01A-700325-S	1940 Front floorboards, wood	105.00 pr
AH-3141	Floorboard mount screws, 28 pcs	5.00 set
78-700378	1937-39 Transmission cover, steel	70.00 ea
78-700826	Transmission cover to floor seal	10.00 ea
AH-3144	Trans cover mount screws, 22 pcs	2.50 set
48-700394	1937-38 Pedal, dimmer, steering seal, rubber	10.00 set
48-700386	1935-38 Bumpers for brake & clutch pedals	7.50 pr
91A-35184	1939-40 Bumpers for brake & clutch pedals	7.50 pr
91A-7011136	1939-40 Master cylinder cover in floor	7.50 ea

Street Rod Firewalls and Floorboards

Steel



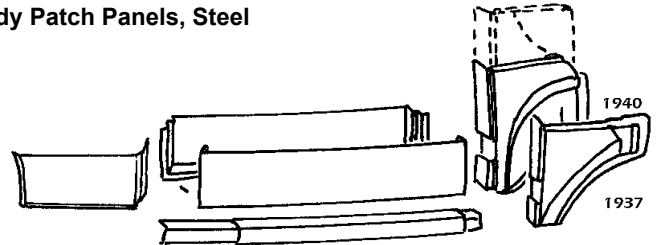
Firewall:

BN-371030	Smallblock	475.00 ea
BN-371012	Bigblock	475.00 ea

Floorboard & transmission hump

BN-351077	Stock firewall/Bitchin-Direct floor	350.00 ea
BN-351077-S	Stock firewall/Stock floor	300.00 ea
BN-351073	Smallblock firewall/Bitchin-Direct floor	350.00 ea
BN-351073-S	Smallblock firewall/Stock floor	300.00 ea
BN-351014	Bigblock firewall/Bitchin-Direct floor	350.00 ea

Body Patch Panels, Steel



Cowl Panels:

	RH			LH	
Patch: 1937, 38, 39Std	78-114-R	165.00 ea		78-114-L	165.00 ea
Patch: 1939Dlx, 40	01A-114-R	140.00 ea		01A-114-L	140.00 ea
Full side: 1939Dlx, 40	01A-114-F	825.00 pr			
Inner patch, 1937-40	78-114-IR	125.00 ea		78-114-IL	125.00 ea

Door Panels

	RH			LH	
inner/outer 2D/Conv	78-236-IOR	225.00 ea		78-236-IOL	225.00 ea
inner/outer Coupe*4D	78-336-IOR	225.00 ea		78-336-IOL	225.00 ea

Rocker Panels:

78-239	Rocker panel, Tudor/Conv, trim for Coupe	135.00 pr
78-239-EXT	Rocker panel extension, door post to wheelwell	60.00 pr

Quarter Panel:

	RH			LH	
Coupe*	78-150-R	115.00 ea		78-150-L	115.00 ea
Tudor/Conv/ClubCpe	78-250-R	140.00 ea		78-250-L	140.00 ea

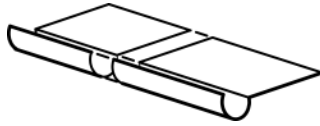
* Club coupe (5 passenger) uses Tudor patch panels

* Parts with price listed as "not.avbl" are not known to be available at this time, but are listed for reference.

1937-40 Coupe, Convertible and Sedan Body Repair Parts, cont

Body Drip Rails

Steel, 4' lengths
form to fit



78-7050834-48 All body styles 120.00 ea

Street Rod Wheelwells

Steel, have extra room for tire

78-181-W	1937 Coupes, Sedans, Convertibles	450.00 pr
	1938 Standard Sedan, phaeton, convertible sedan	
91A-181-W	1938 Deluxe sedan	450.00 pr
	1939-40 Coupes, Sedans, Convertibles	

Wescott's 1937-38 Deck Lids, Fiberglass

Wescott's deck lids are constructed with fiberglass inner and outer panels glued together. We install internal steel support structures between the inner and outer panels which reinforce hinge and trunk prop mounts.



DL3536CR	Roadster, Cabriolet (rumble seat)	850.00 ea
DL3738C	Coupe and Club Cabriolet	850.00 ea

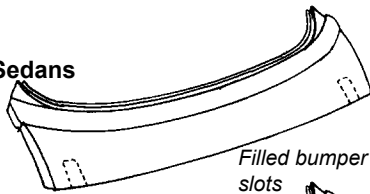
Panel Below Deck Lid

1937-38 Coupe - Convertible

1937 Sedans, 1938 Standard Sedans

Below Deck Panel:

Stamped steel, good quality. Requires minor reshaping and fitting during installation.



Coupe, Roadster, Cabriolet:

78-725250 325.00 ea

Slant back sedans with bumper slots:

78-704058-A not.avbl

filled bumper slots

78-704058-AS 325.00 ea

1937 Humpback sedans

1938 Standard sedans

(bumper slot to bumper slot)

78-704058-B 325.00 ea

Inner toolbox panel

78-725250-T 275.00 ea

Corner braces & striker mount

78-704058-ABR 115.00 set

Trunk Toolbox wood cover

1937-38 Coupe & Convertible

78-7046106-AS not.avbl

Panel Below Deck Lid: 1938 Dix, 1939-40 Sedan

Below Deck Panel

Stamped Steel, good quality. Requires minor reshaping and fitting during installation.

91A-7040324 300.00 ea

Inner toolbox panel

(extend at bottom to fit sedan)

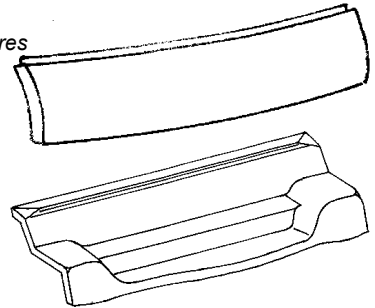
91A-7746100 275.00 ea

latch striker mount

01A-7044820 60.00 ea

Trunk Toolbox wood cover

81A-7046106-S not.avbl



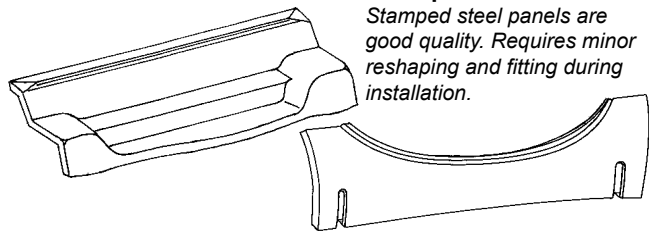
Wescott's 1939-40 Coupe & Convertible Deck Lids,

Wescott's deck lids are constructed with fiberglass inner and outer panels glued together. We install internal steel support structures between the inner and outer panels which reinforce hinge and trunk mounts.

DL3940C	1939-40 Coupe	1350.00 ea
DL39CNV	1939 Convertible (rumble seat)	850.00 ea
DL40CNV	1940 Convertible	1350.00 ea

Panel Below Deck Lid: 1939-40 Ford Coupe & Convertible

Stamped steel panels are good quality. Requires minor reshaping and fitting during installation.

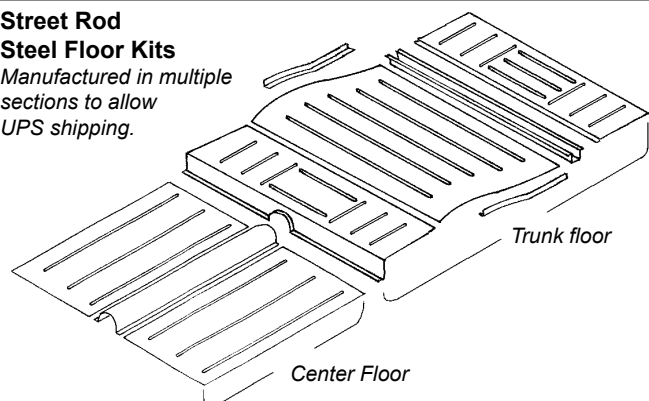


01A-163	Below deck panel w/ bumper slots	275.00 ea
01A-163-F	Below deck panel, filled bumper slots	275.00 ea
91A-7746100	Inner (toolbox) panel	275.00 ea
91A-7044820	Latch striker mount bracket	not.avbl
91A-7044821	Bumper slot reinforcements	60.00 ea
91A-7046106-S	Trunk toolbox cover, wood	65.00 pr

Street Rod

Steel Floor Kits

Manufactured in multiple sections to allow UPS shipping.



BN-371006	Center floor, floorboard to seat riser	250.00 ea
BN-351085	Trunk floor, Coupes, Sedans, Convertible	375.00 kit

*Measure from body bolt at hinge post to front of rear seat platform.

* Parts with price listed as "not.avbl" are not known to be available at this time, but are listed for reference.

1937-40 Coupe, Convertible and Sedan Body Repair Parts, cont

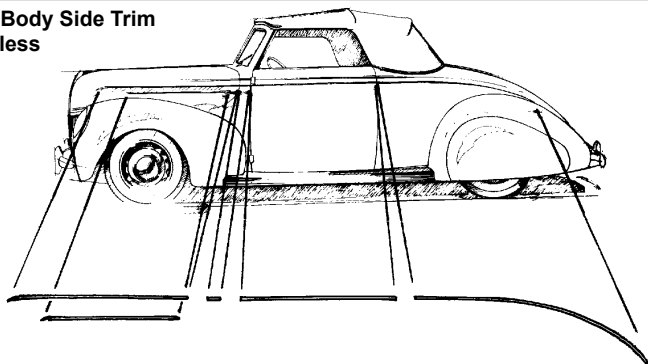
1939 Convertible Body Wood Parts

VWD-39CNV-DPST	Door post strip wood 39Cnv	110.00	pr
VWD-39CNV-DPTW	Diagonal wood strip 39Cnv	120.00	pr
VWD-39CNV-TWEL	Top well bot/back/side 39Cnv	275.00	set
VWD-39CNV-TWELE	Top well end wood 39Cnv	90.00	pr
VWD-39CNV-BACK	Back tack wood strip 39CNV	100.00	set
VWD-39CNV-TOOL	Tool kit wood 39Cnv	32.50	set
VWD-39CNV-DAM	Rear water dam wood 39Cnv	32.50	pr
VWD-39CNV-DIV	Division panel wood strp 39Cnv	40.00	pr
VWD-39CNV-DIVS	Division panel wood 2pc 39Cnv	55.00	set

1938 Body Side Trim Clips & Bolts

81A-20001-A	Grille bar & hood louver clips (56), Std	12.50	set
81A-20004-A	Grille side & hood side clips (12), Std	5.00	set
81A-20004-B	Grille bars & hood side clips (10), Dlx	5.00	set
81A-20005	Body belt clips (58 pcs), Std or Dlx	15.00	set
81A-20006	Body belt bolts (14 pcs), Std or Dlx	10.00	set

1939 Body Side Trim Stainless



Hood Side	RH		LH	
Upper, Deluxe only	91A-16722-B	85.00	ea	91A-16723-B 85.00
Lower, Deluxe only	91A-16724-B	45.00	ea	91A-16724-B 45.00

Cowl Side:

Standard and Deluxe	91A-700328-S	55.00	pr
---------------------	--------------	-------	----

Front Door:

	RH		LH	
Tudor Sedan	91A-7020934	80.00	ea	91A-7020935 80.00
Coupe/Fordor/Delivery	91A-7320934	55.00	ea	91A-7320935 55.00
Convertible sedan	91A-7420934	45.00	ea	91A-7420935 45.00
Convertible	91A-7620934	60.00	ea	91A-7620935 60.00

Rear Door

	RH		LH	
Fordor Sedan	91A-7325554	45.00	ea	91A-7325555 45.00
Convertible Sedan	91A-7425554	45.00	ea	91A-7425555 45.00

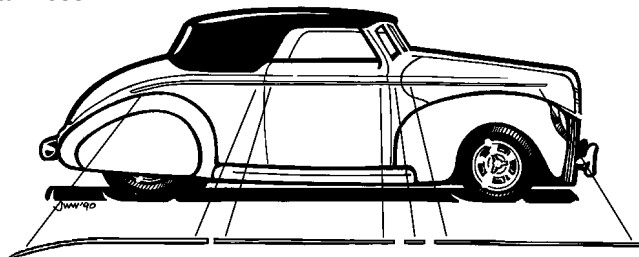
Rear Quarter

	RH		LH	
Tudor Sedan	91A-7029034	145.00	ea	91A-7029035 145.00
Fordor Sedan	91A-7329034	80.00	ea	91A-7329035 80.00
Convertible Sedan	91A-7429034	95.00	ea	91A-7429035 95.00
Convertible	91A-7629034	150.00	ea	91A-7629035 150.00
Coupe	91A-7729034	115.00	ea	91A-7729035 115.00
Sedan Delivery	91A-7829034	75.00	ea	91A-7829034 75.00

1939 Body Side Trim Clips and Bolts

91A-20001-A	Grille bars & hood side clips (30), Std	10.00	set
91A-20003	Hood center clips (8 pcs), Dlx	5.00	set
91A-20005	Body belt clips (70 pcs), Std or Dlx	17.50	set
81A-20006	Body belt bolts (14 pcs), Std or Dlx	10.00	set

1940 Body & Hood Side Trim Stainless



Hood Side	RH		LH	
Standard Passenger	01A-16722-A	55.00	ea	01A-16723-A 55.00
Deluxe Passenger	01A-16722-B	55.00	ea	01A-16723-B 55.00

Cowl Side

Standard and Deluxe	01A-700328-S	50.00	pr
---------------------	--------------	-------	----

Front Door

	RH		LH	
Tudor and Convertible	01A-7020934	70.00	ea	01A-7020935 70.00
Coupe/Fordor/Delivery	01A-7320934	70.00	ea	01A-7320935 70.00

Rear Door

Fordor Sedan	01A-7325555	70.00	ea	01A-7325555 70.00
--------------	-------------	-------	----	-------------------

Rear Quarter

	RH		LH	
Convertible	01A-6629034	85.00	ea	01A-6629035 85.00
Tudor Sedan	01A-7029034	90.00	ea	01A-7029035 90.00
Fordor Sedan	01A-7329034	90.00	ea	01A-7329035 70.00
Coupe	01A-7729034	85.00	ea	01A-7729035 85.00
Sedan Delivery	01A-7829034	65.00	ea	01A-7829034 65.00

1940 Body Side Trim Clips and Bolts

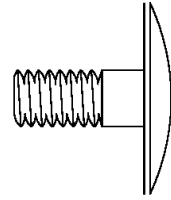
01A-20005	Body belt clips (58 pcs), Std or Dlx	15.00	set
01A-20006	Body belt bolts (8 pcs), Std or Dlx	7.50	set

* Parts with price listed as "not.avbl" are not known to be available at this time, but are listed for reference.

Special Hardware

Rear Wheelwell Fender Studs

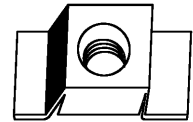
These are the large head studs that weld into the wheelwell for rear fender mounting on 1928-32 Passenger cars and 1932-47 Pickup boxes.



AH-1173	Set of 4	2.50	set
---------	----------	------	-----

Cage Nuts

A nut in a sheetmetal cage to weld or braze into the body.



AH-3145-B	43834	1.50	ea
AH-3145	45428	1.50	ea
AH-3145-D	45359	5.00	ea
AH-3145-E	41276	2.50	ea

Capped nuts for exposed wood

Stainless Steel, used extensively on station wagons

AH-352353-SF	5/16-24, .75 cap dia, .35 thread depth	3.00	ea
AH-352353-LL	5/16-18, .75 cap dia, .60 thread depth	3.00	ea
AH-352353-SS	5/16-18, .75 cap dia, .35 thread depth	3.00	ea
AH-352353-SC	3/8-24, .90 cap dia, .60 thread depth	3.00	ea

"D" Nuts

These are the special D shaped clinch nuts used extensively on Ford bodies. They are inserted into their hole and the flange is peened down to rivet them into the hole.



AH-1123-A	11963	0.50	ea
AH-1123	40901	0.50	ea
AH-1123-B	43834	1.00	ea
AH-1123-D	45428	2.50	ea
AH-1123-C	45359	2.50	ea
AH-1123-E	44028	2.50	ea

Body Nails

.074 dia x 3/4", .165 dia, Oval head, straight shank

AH-0003-C	100 qty	1.50	ea
AH-0003-5C	500 qty	7.50	ea

.085 dia x 7/8", .165 dia, flat head, twist shank

AH-0004-C	100 qty	2.00	ea
AH-0004-5C	500 qty	12.50	ea

Body Insulation

HR-700770	Heavy duty foil backed jute 36" x 48"	30.00	ea
-----------	---------------------------------------	-------	----

* Parts with price listed as "not.avbl" are not known to be available at this time, but are listed for reference.